

Description:

Gyproc GypLock® Concealed Ceiling comprising of **GypLock® Standard Main Channel (MC4555)** space at nominal 1200mm intervals; **GypLock® Furring Channel (FC3842)** space at nominal 610mm intervals join in transverse direction to the underside of main channels using **GypFrame® Cross Joiner (CJ38)** staggeredly and secure to perimeter wall using **GypLock® Wall Track (FT2850)**. Main channels are fixed with **GypLock® Adjustable Suspension Clip (ASB45)** staggeredly and suspend from substrate with **M4 Suspension Rod (SRM4)** to intended height. A single layer **Gyproc BaseLine® 12.5mm** is screw-fixed at max. 200mm centres across the underside of furring channels.

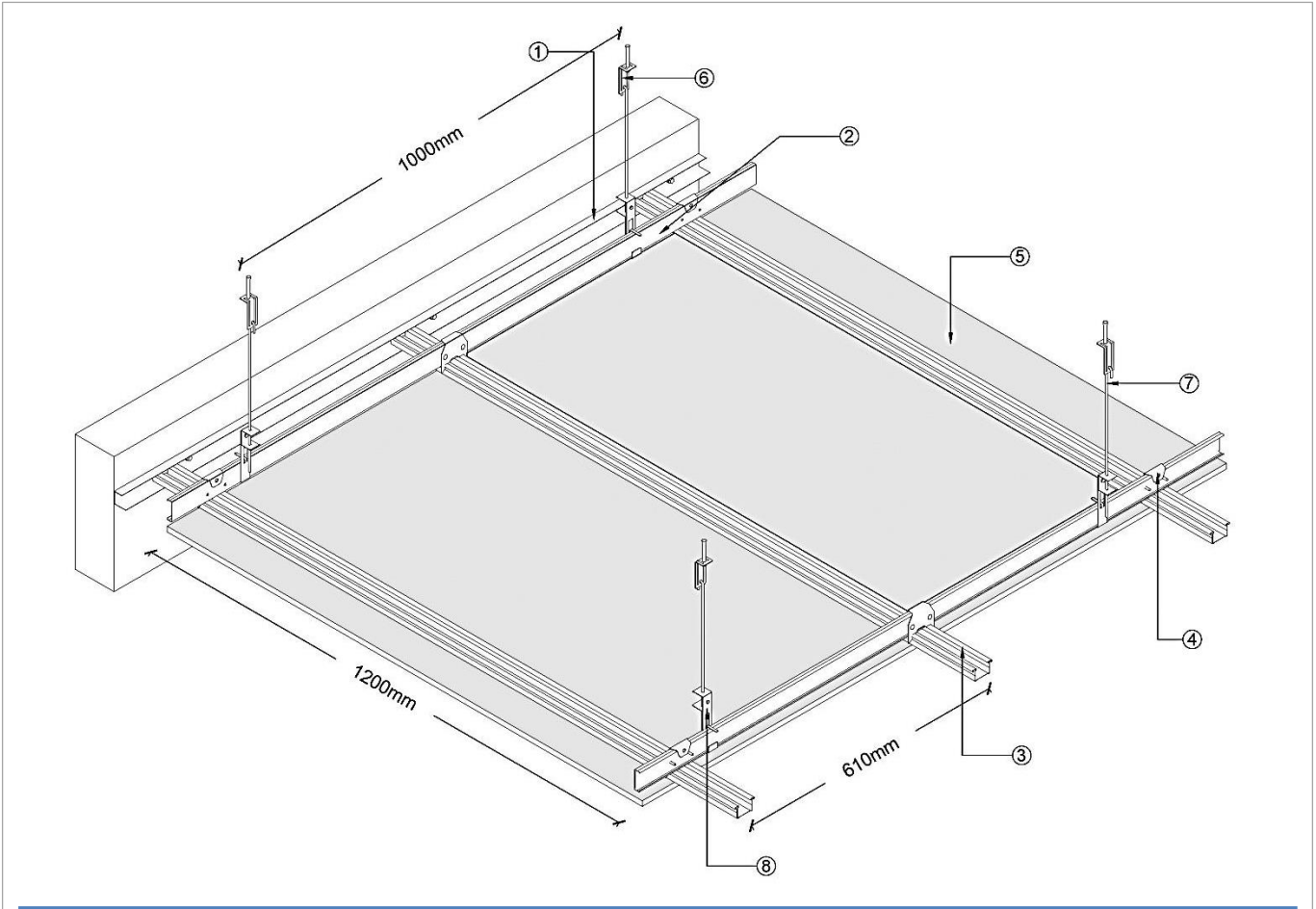
All joints are reinforced with **Gyproc Mesh Tape** and finished with **ProTop® 2 in 1 Joint Filler / Finish** for a seamless surface.

Area of Application:

Suitable to install at internal area of all segments, i.e. commercial, office, shelter, etc.

Important Note:

1. Ceiling must be suspended from soffit structure of adequate strength.
2. Internal area application only.
3. Able to withstand wind uplift pressure of up to 0.25kPa



Key Information:

- | | |
|---|---|
| 1. GypLock® Wall Track (FT2850) | 5. Gyproc BaseLine® 12.5mm |
| 2. GypLock® Main Channel at 1200mm centres (MC4555) | 6. GypLock® Suspension Bracket (SB01) |
| 3. GypLock® Furring Channel at 610mm centres (FC3842) | 7. GypLock® M4 Suspension Rod (SRM4) |
| 4. GypLock® Cross Joiner fixed staggered along Main Channel (CJ38) | 8. GypLock® Adjustable Suspension Clip fixed staggered (ASB45) |

Overall Thickness	Overall System Weight	Fire Performance (Board)	Maximum Allowable Load (kg/m ²)	Maximum Ceiling Span (mm)
80.9mm	10.2kg/m ²	Class O	3kg/m ²	Unlimited. Recommend to include a control joint at every 10m

Disclaimer:

This document remained the property of Saint-Gobain. Please contact Gyproc Technical Department for information on performance and method of installation.

Components	Description	Qty / m ² (Est.)*
GypLock® Main Channel (MC4555)	BMT = 0.55mm; Zinalume; Length = 3.6m ± 5mm	0.26 piece
GypLock® Furring Channel (FC3842)	BMT = 0.42mm; Zinalume; Length = 3.6m ± 5mm	0.48 piece
GypLock® Cross Joiner (CJ38)	BMT = 1.0mm; Zinalume	1.70 piece
GypLock® Wall Track (FT2850)	BMT = 0.5mm; Zinalume; Length = 3.0m±5mm	See #1 piece
GypLock® Adjustable Suspension Clip (ASB45)	BMT = 1.0mm; Galvanised	2.02 piece
GypLock® Suspension Rod (SRM4)	Soft steel rod with diameter = 4mm; Length = 3.0m±5mm	0.39 piece
GypLock® Suspension Bracket (SB01)	BMT = 1.15mm; Zinalume; Fix to soffit substrate	2.02 piece
Gyproc BaseLine® 12.5mm (RE)	Standard size = 1220mm x 2440mm	0.34 piece
Drywall Screw 25mm**	No. 6 x 25mm	11.76 piece
Gyproc ProTop® 2 in 1 Joint Filler / Finish	Weight = 20kg per bag	0.05 bag
Gyproc Mesh Tape	Width = 50mm; Length = 70m	0.04 roll
Anchor Bolt	M6 x 32mm; Galvanised	2.02 piece

Note:

* Quantity estimation is based on 100m² ceiling area of dimensions 10m x 10m; 400mm ceiling plenum depth.

** Drywall screw spacing max. @ 200mm c/c. Drywall screw length must be 10mm longer than total fixed board thickness.

#1 Quantity of wall track = total perimeter wall length in metre (m)/3